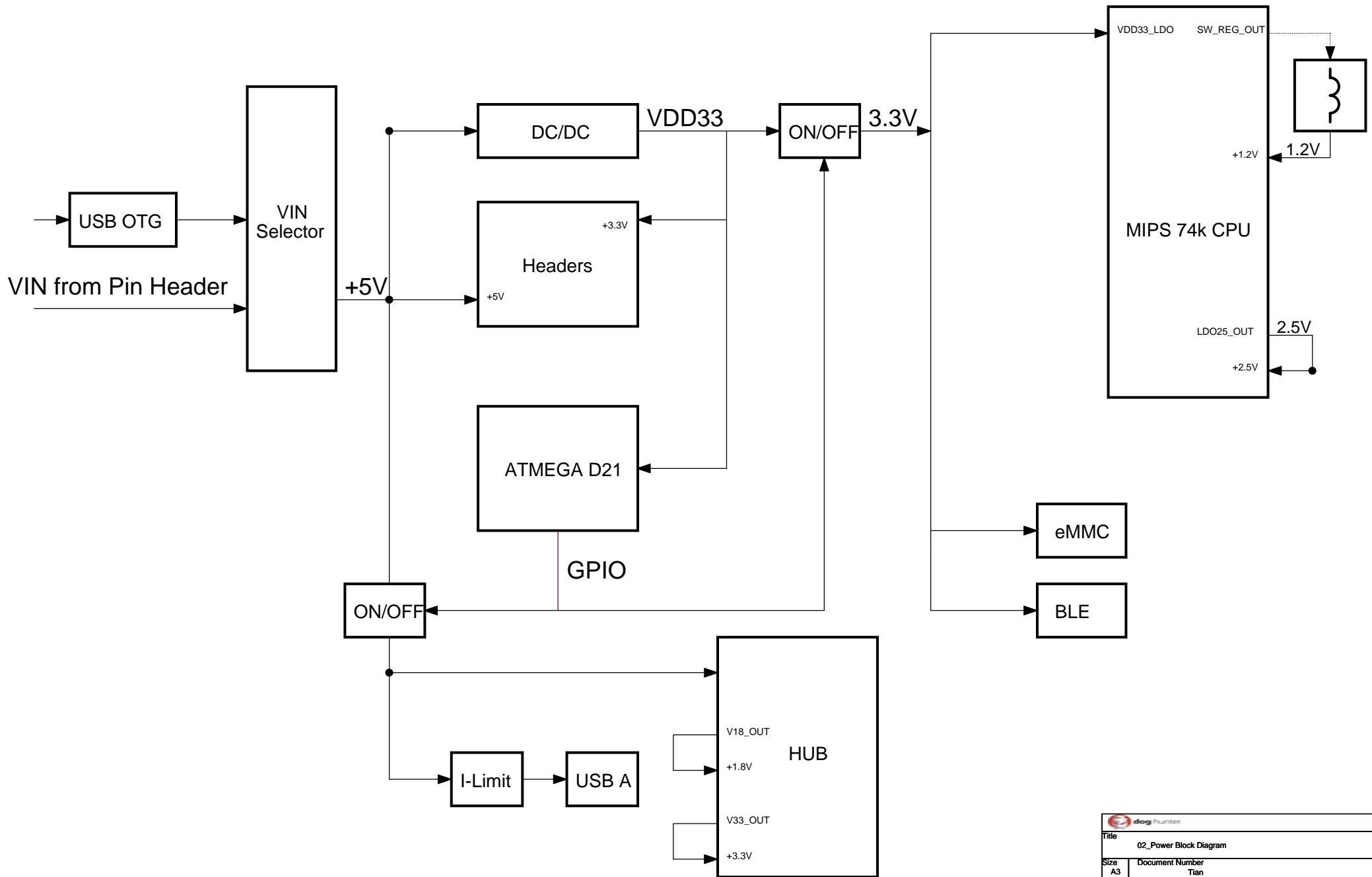
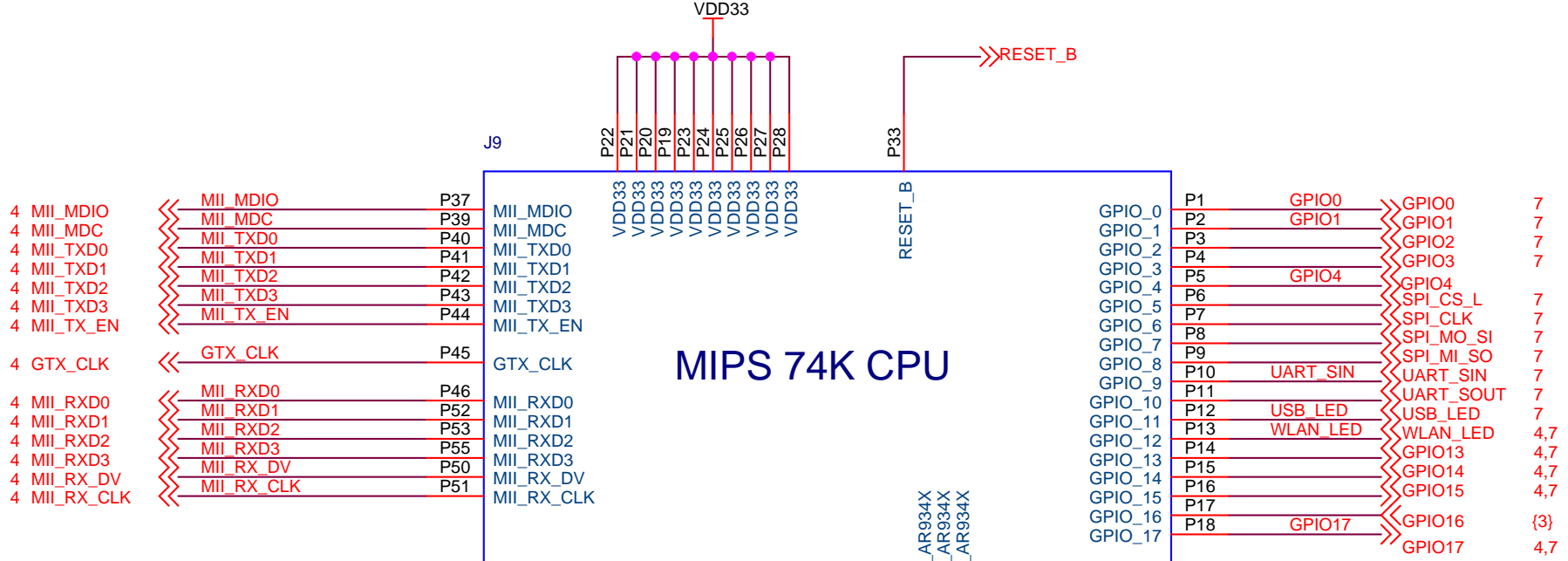


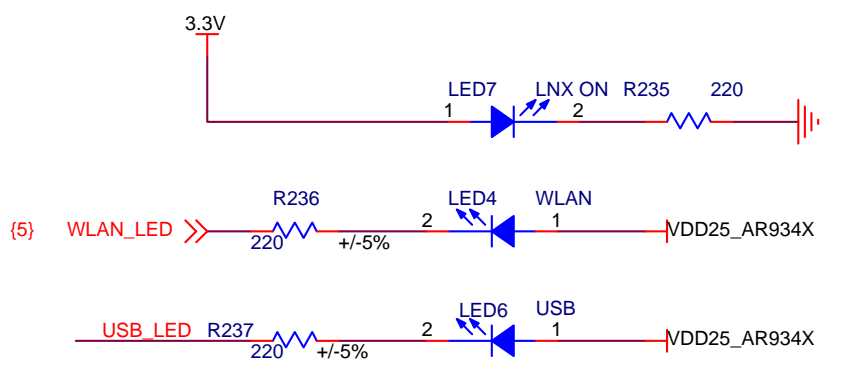
# dogghoat Power Block Diagram



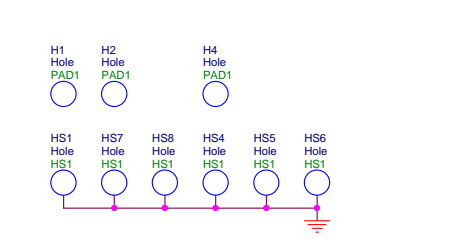
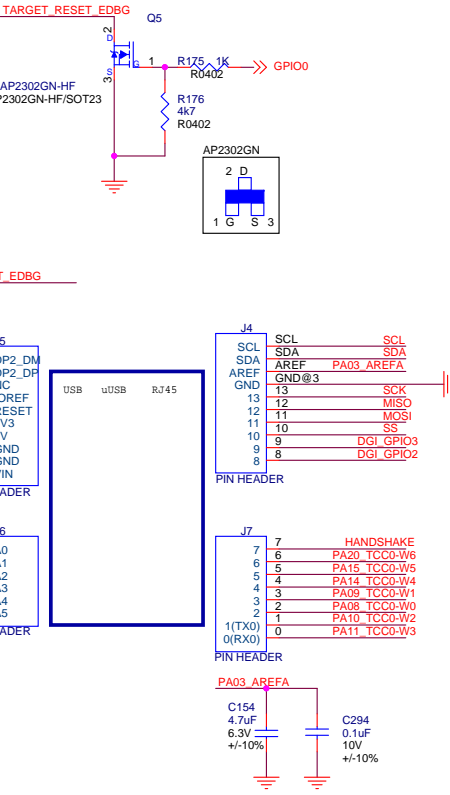
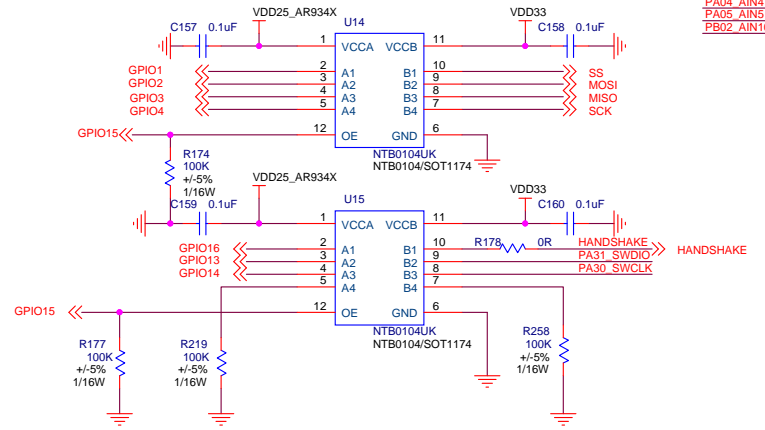
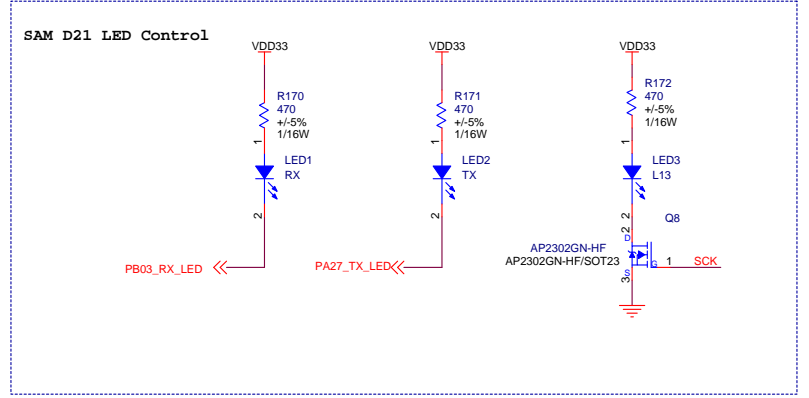
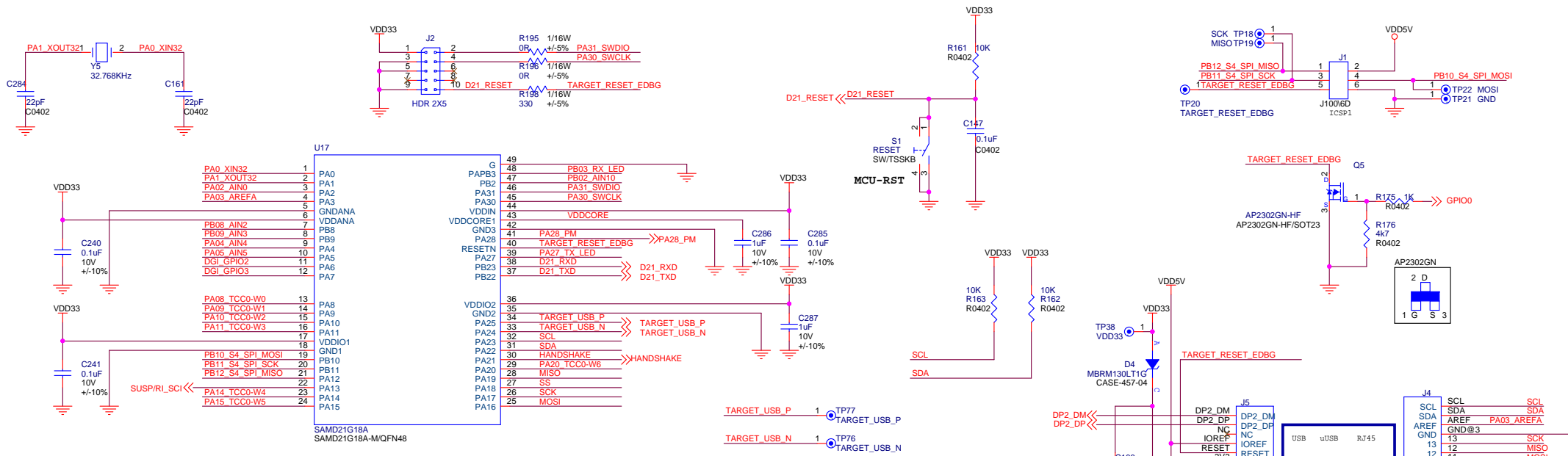


### LED Display Circuit

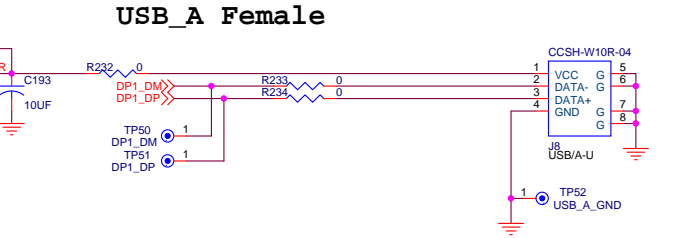
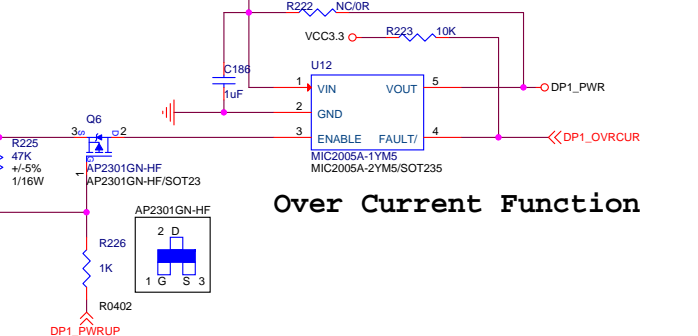
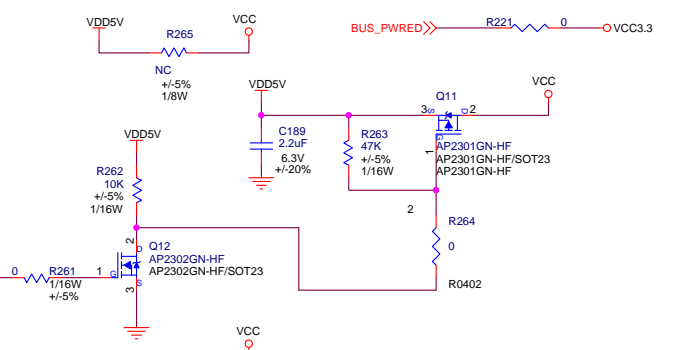
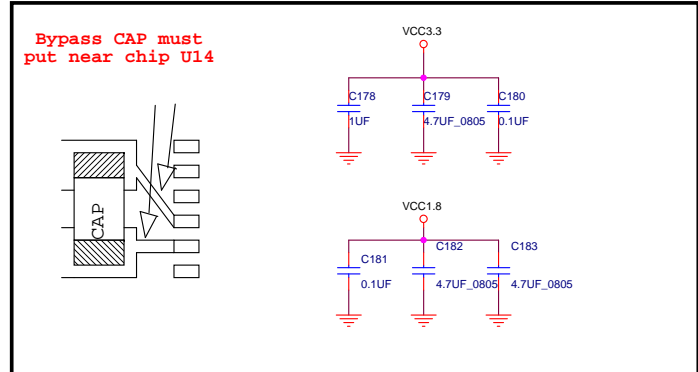
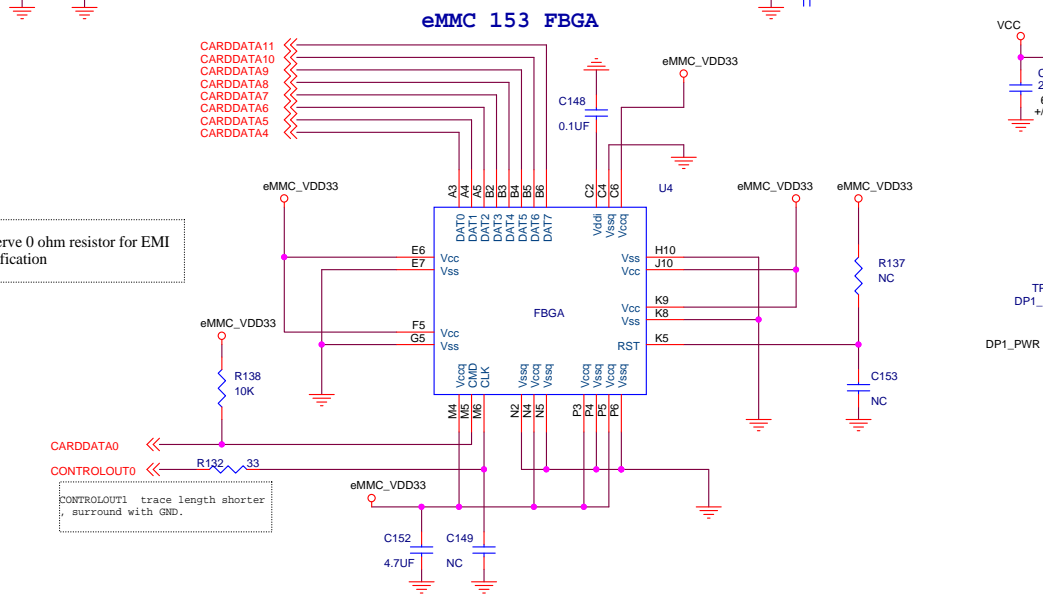
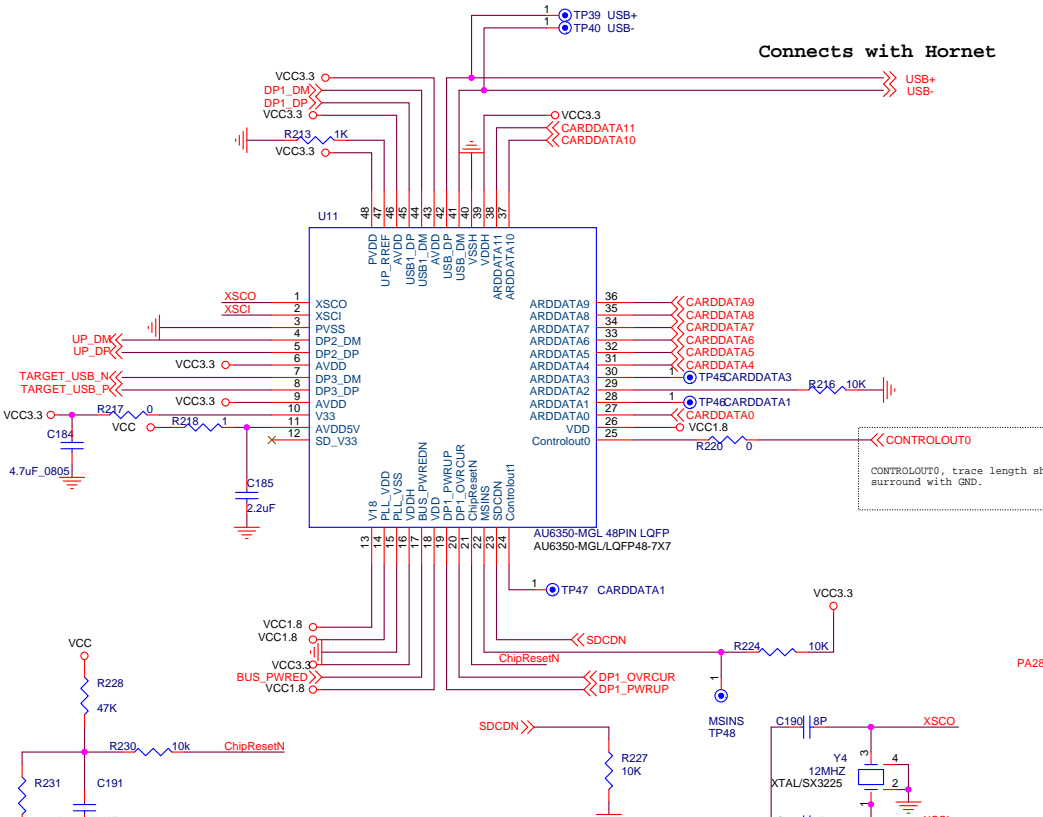
Power LED



Title		
03_MIPS_76K_CPU		
Size	Document Number	Rev
A	Tian	03
Date:	Tuesday, February 02, 2016	Sheet 1 of 1

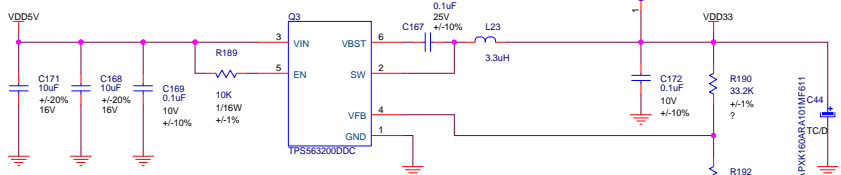
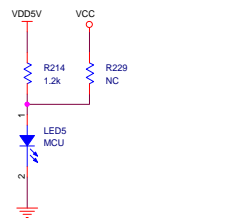
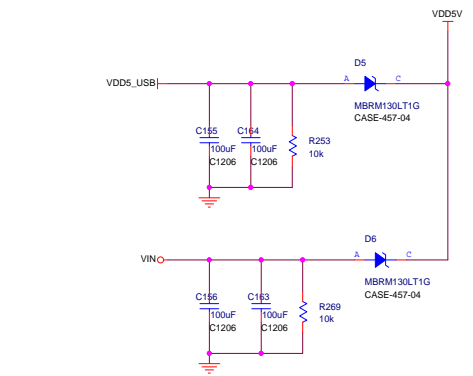
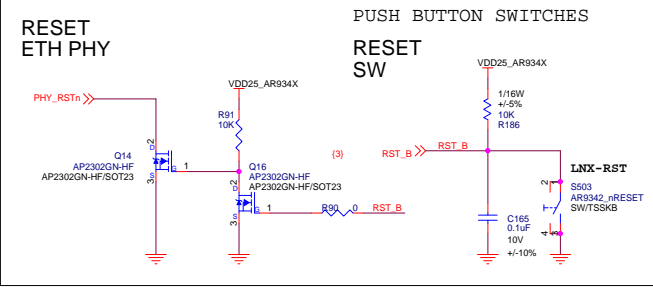
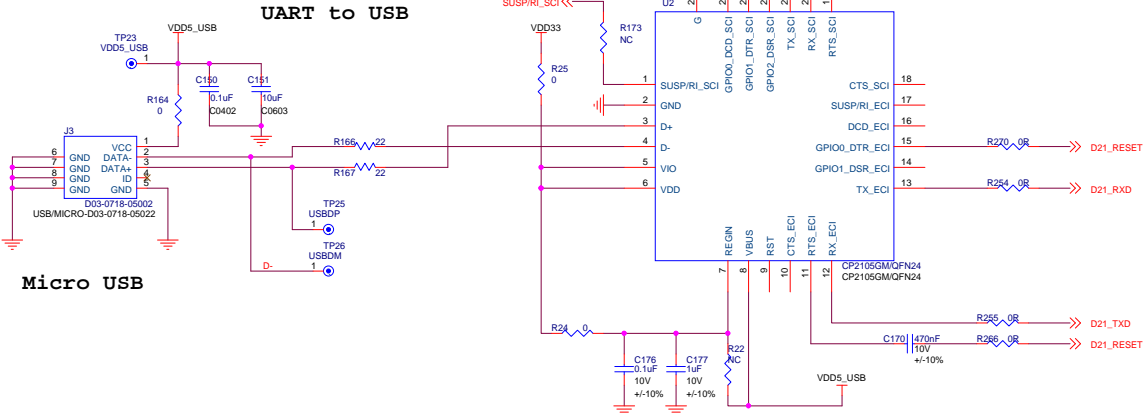
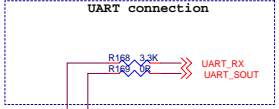
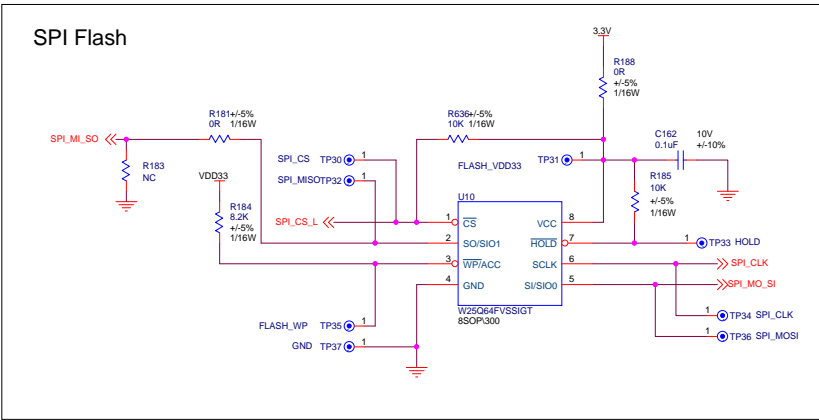
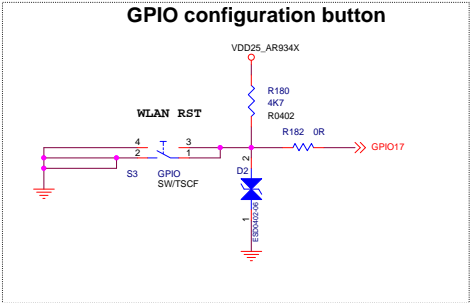


Title: 04_ATmega32U4/LED			
Size:	Document Number:	Tian	Rev: 03
Date:	Friday, February 19, 2016	Sheet:	8 of 16

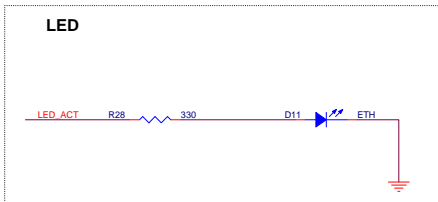
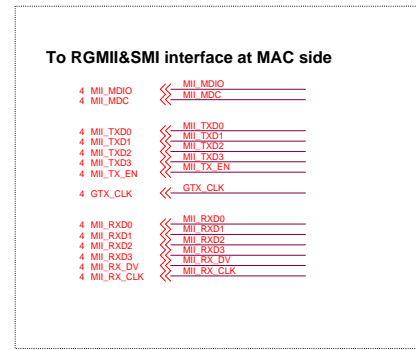
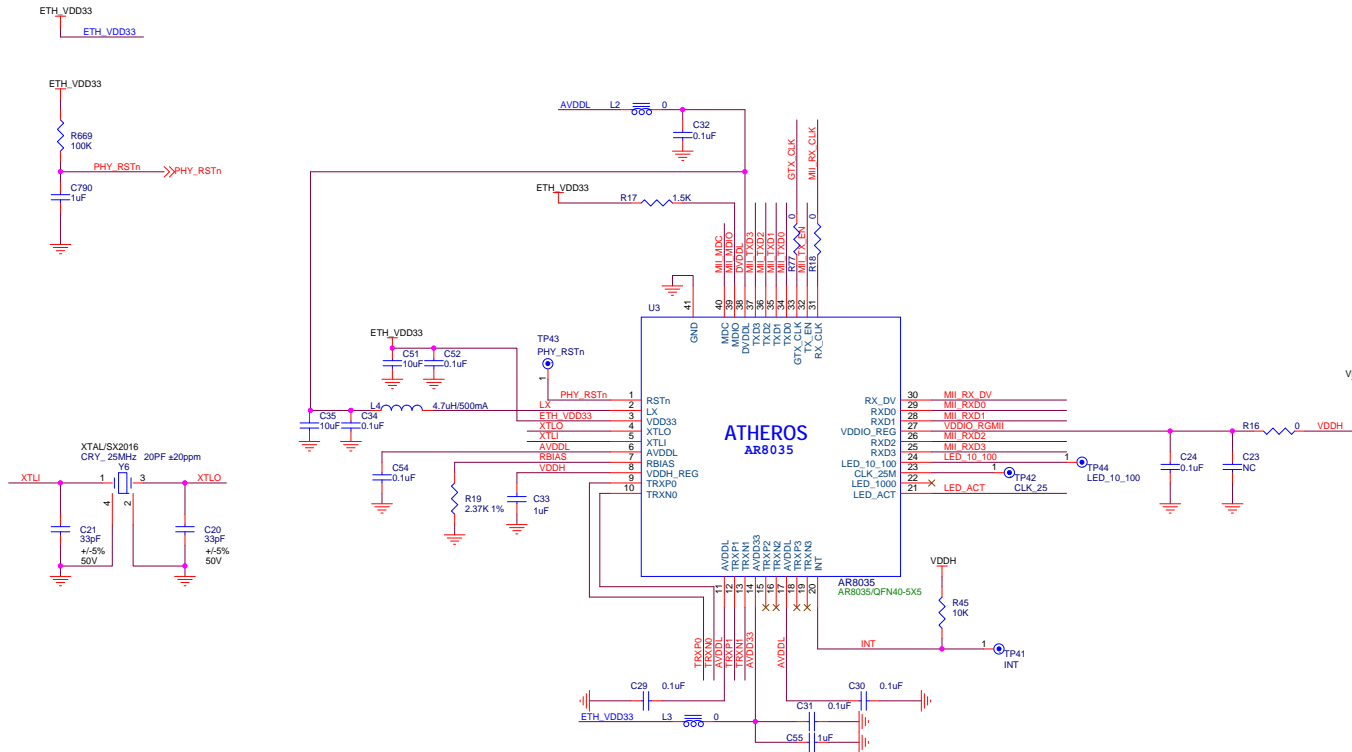


05\_AU6350/eMMC/USB\_A Female

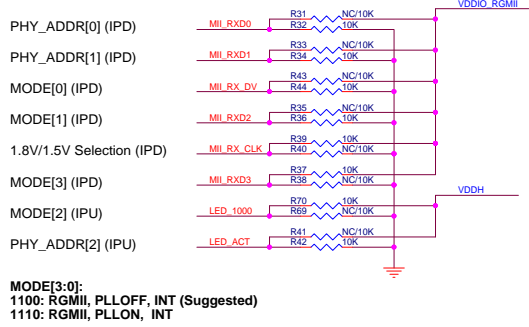
Title	05_AU6350/eMMC/USB_A Female	
Size	Document Number	Rev
	Tian	03
Date:	Friday, February 19, 2016	Sheet 9 of 16



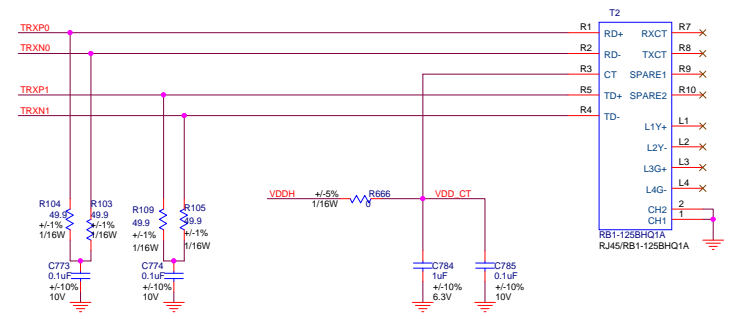
Notes:  
 $R_{bot}=R192=10K$ ,  $R_{top}=R190=33.2k$   
 $V_{OUT} = 0.765 ( 1 + R_{top}/R_{bot} ) V$   
 $V_{out} = 0.765 ( 1 + 33.2/10 ) V = 3.3 V$

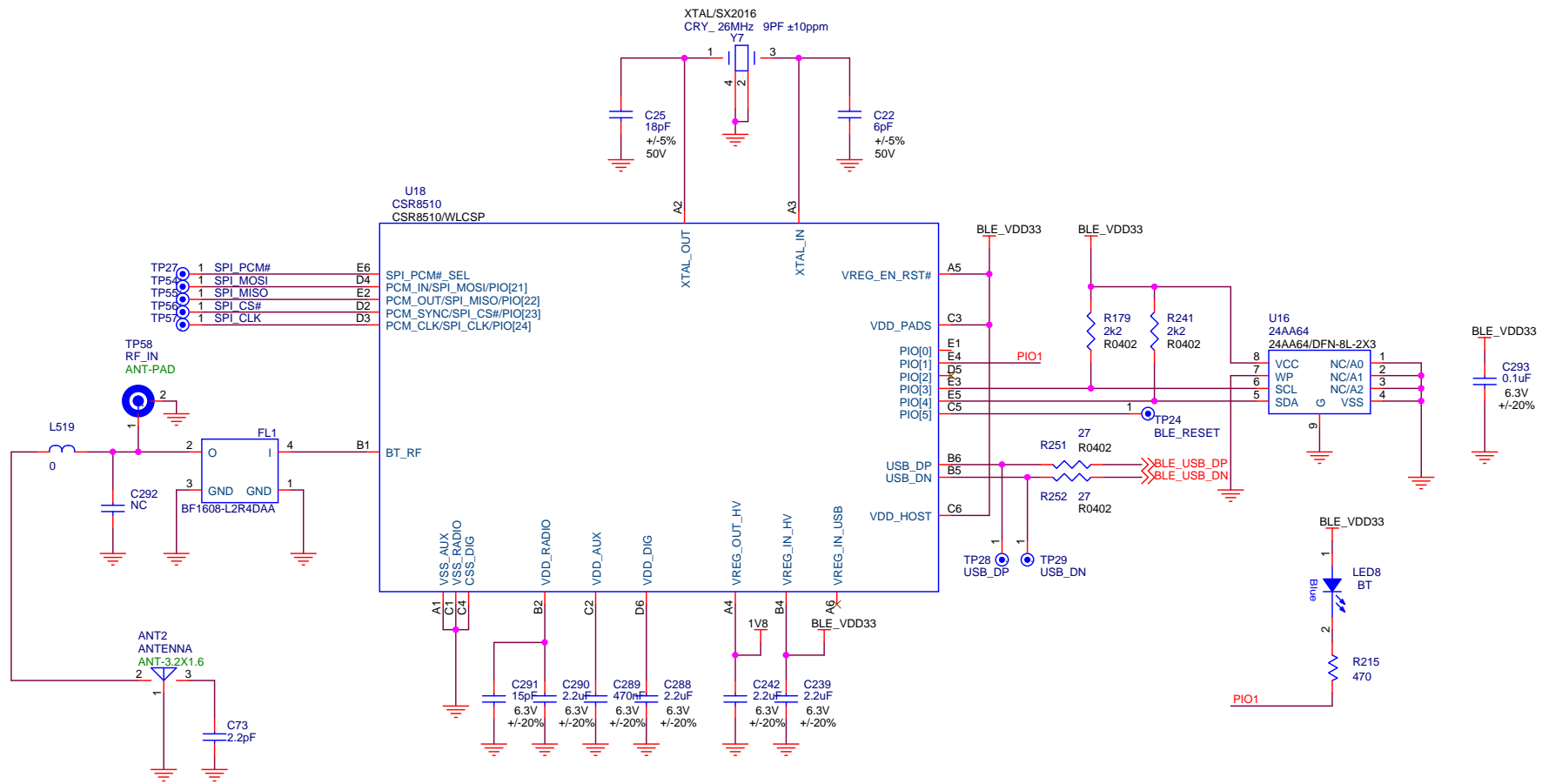


**Power-on Strapping Pins**



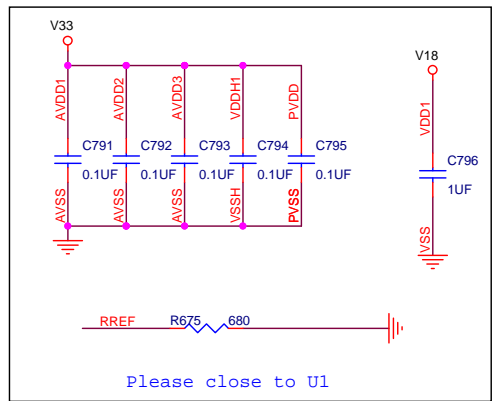
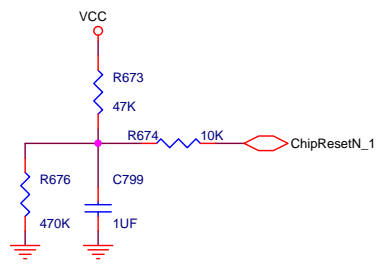
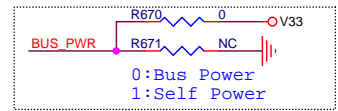
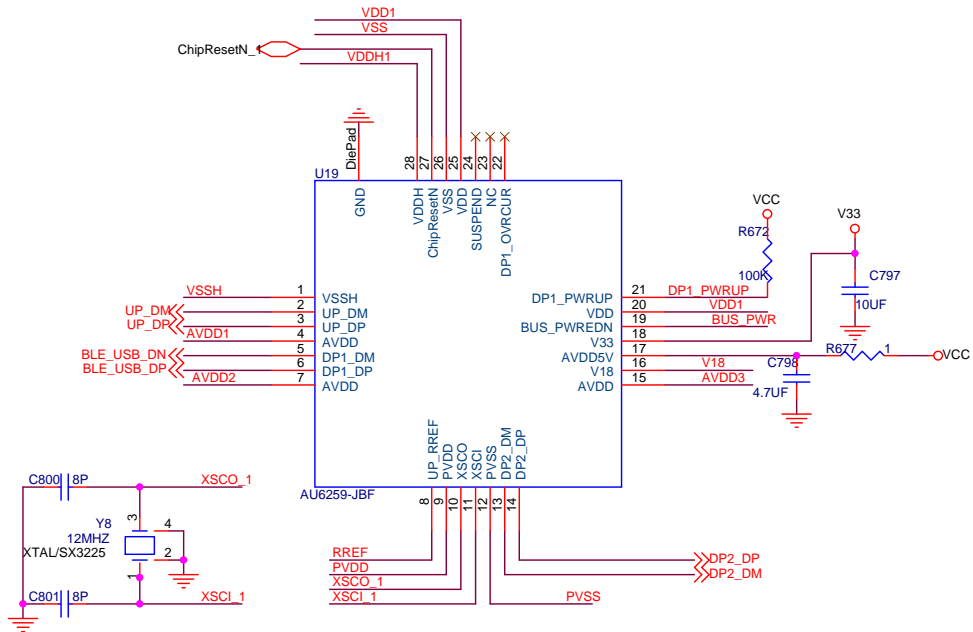
**MODE[3:0]:**  
 1100: RGMII, PLLOFF, INT (Suggested)  
 1110: RGMII, PLLON, INT





Title		
08_Bluetooth_CSR8510		
Size	Document Number	Rev
B	Tian	03
Date:	Friday, February 19, 2016	Sheet 15 of 16





Title		
09_AU6259		
Size	Document Number	Rev
	Tian	03
Date:	Friday, February 19, 2016	Sheet 16 of 16